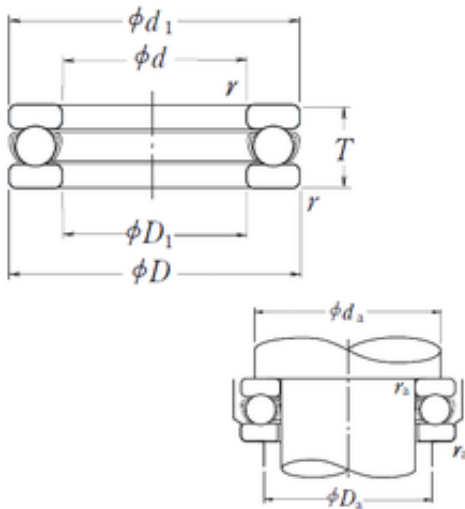




Precision bearing company



51106 Bearing 2D drawings and 3D CAD models

NSK 51106 Bearing

Bearing No. 51106

Size	30x47x11 mm
Bore Diameter	30 mm
Outer Diameter	47 mm
Width	11 mm
d	30 mm
D	47 mm
T	11 mm
d1	47 mm
r min.	0,6 mm
D1	32 mm
da min.	40 mm
Da max.	37 mm
ra max.	0,6 mm
Weight	0,064 Kg
Basic dynamic load rating (C)	20,6 kN
Basic static load rating (C0)	42 kN
(Grease) Lubrication Speed	4300 r/min
Category	Thrust Ball Bearing
Inventory	0.0
Manufacturer Name	NSK
Minimum Buy Quantity	N/A
Weight / Kilogram	0.067
EAN	0029176026416
Product Group	B00308
Rolling Element	Ball Bearing
Thrust Bearing	Yes



Precision bearing company

Single or Double Direction	Single Direction
Banded	No
Cage Material	Steel
Precision Class	Non-Precision
Component Description	Roller Assembly Plus Raceways
Other Features	Single Row With Flat Seat
Long Description	30MM Bore 1; 32MM Bore 2; 47MM Outside Diameter; 11MM Height; Ball Bearing; Single Direction; Not Banded; Steel Cage; Non-Precision
Inch - Metric	Metric
Category	Thrust Ball Bearings
UNSPSC	31171552
Harmonized Tariff Code	8482.10.50.08
Noun	Bearing
Keyword String	Ball Thrust
Manufacturer URL	http://www.nskamericas.com
Manufacturer Item Number	51106
Weight / LBS	0.1411
Bore 2	1.26 Inch 32 Millimeter
Outside Diameter	1.85 Inch 47 Millimeter
Height	0.433 Inch 11 Millimeter
Overall Height with Aligning Washer	0 Inch 0 Millimeter
Bore 1	1.181 Inch 30 Millimeter
bore diameter:	30 mm
static load capacity:	4300 kg
outside diameter:	47 mm
dynamic load capacity:	2100 kg
overall width:	11 mm



Precision bearing company

operating temperature range:	Maximum of +120 ° C
thrust bearing type:	Single-Direction
maximum rpm:	6700 RPM
outside diameter design:	Straight
cage material:	Steel
separable or banded:	Separable
fillet radius:	0.6 mm
race type:	Flat
series:	511
precision rating:	ABEC 1 (ISO Class Normal)
SRI	3.4
hidYobi	51106
LangID	1
D_	47
SREX	0.04
C	20.6
B_	11
hidTable	ecat_NSSDTB
Oil rpm	6700
SRE	3.4
mass	0.064
GRS rpm	4300
ra	0.6
SRIX	0.04
D_a	37
SRIN	0
C0	42
SREN	0
D_1	32
Prod_Type3	TB_SD_WFS
da	40



Precision bearing company

DA_	6.35
Z_	17
yobi	51106
SDM_	38.5
r	0.6
T_	11
KBRG	5111